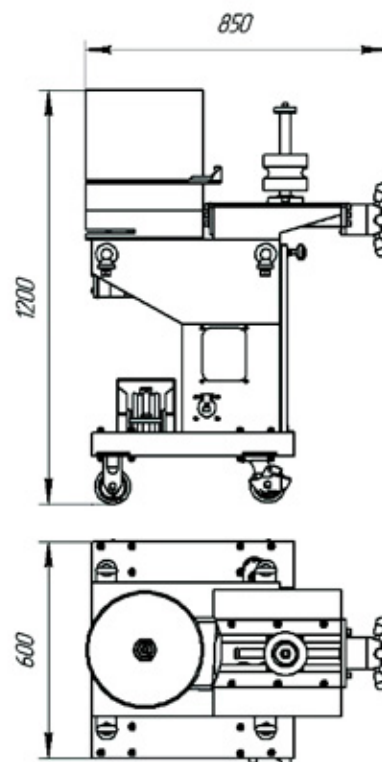


# Model 56

Bending machine



Oriented:

For making of rings and spirals by twirl of tubes

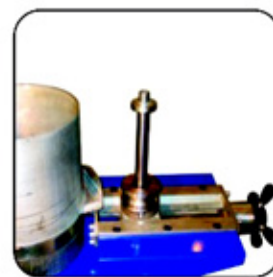


and profiles



Tooling

Consists of bending roller and coiling drum with bending radius up to 500 mm



Technical data

Maximum tube diameter, mm	30
CLR min.	5D
CLR max.	500 mm
Speed of tubes movement, turn/min	8,4
Power/frequency/voltage	1,1 kWt / 50 Hz /380 V
LxHxB, mm	1200x850x600
Weight, kg	250

Base complete set

- Bending machine
- Packing
- Training to Customer's personnel



Baltic Machine-building Company

Tel./fax: +7 812 3310840, +7 812 3313970, tel.: +7 812 7167377; e-mail: [bmc@trubogib.spb.ru](mailto:bmc@trubogib.spb.ru); web-site: <http://www.tubend.ru>