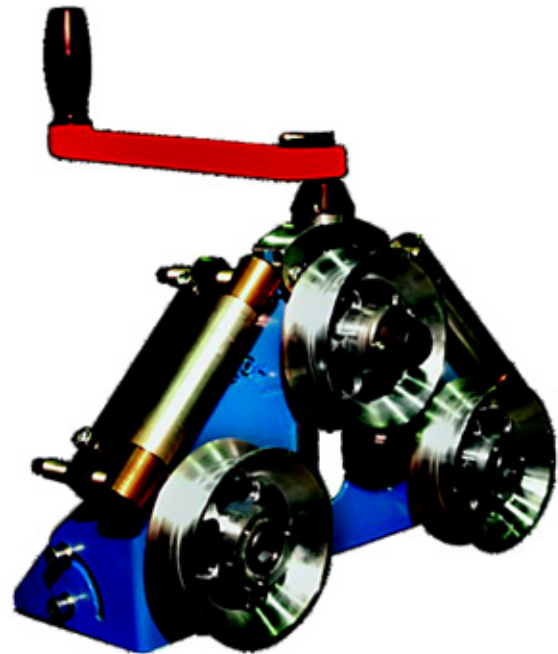
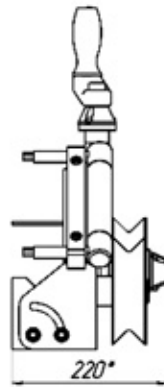
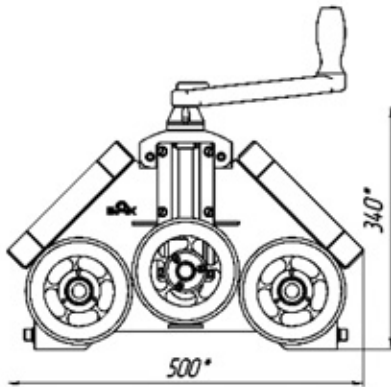


START 3R-M-30

Three-roller bender



Oriented:

Making of rings, arcs, spirals with specified coils step lifting of tubes



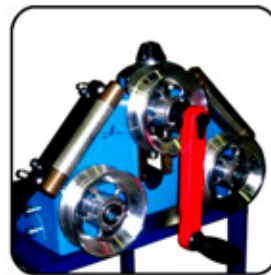
and profiles



by 3-roller bending method

Abilities

- Control of theoretical bending radius
- Spiral step lifting control
- Work in vertical and horizontal position



Vertical position



Horizontal position

Technical data

Maximum tube diameter, mm.	30
CLR min.	90 mm
CLR max.	Not limited
LxHxB, mm	500x340x220
Weight, kg	23

Base set

- Tube bender
- Set of 3 universal rollers
- Two spiral step lifting devices
- Operation manual
- Packing

Advanced options

- Delivery of optional tooling



Baltic Machine-building Company

Tel./fax: +7 812 3310840, +7 812 3313970, tel.: +7 812 7167377; e-mail: bmc@trubogib.spb.ru; web-site: <http://www.tubend.ru>